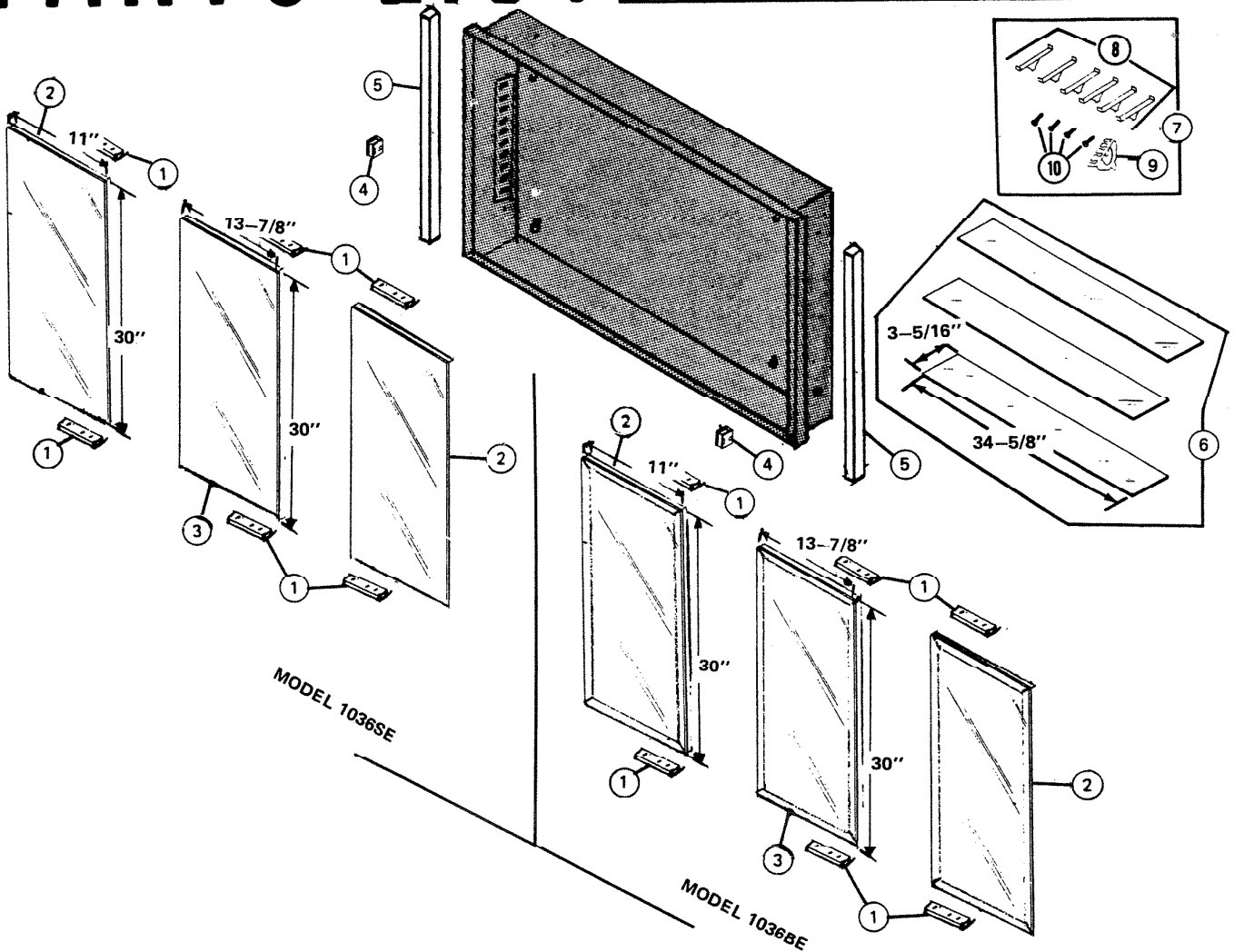


PARTS LIST

EFFECTIVE DATE	MODEL	PRODUCT GROUP
APRIL 1987	1036BE/SE NEW	BATH CABINET



REF.	ORIGINAL PART NO.	* PART DESCRIPTION	MODEL USED ON	CURRENT REPLACEMENT PART NO.	
1	96490	SHIM (1) -- 6 REQUIRED	1036BE/SE	96490-000	
2	96497	MIRROR & DOOR ASSEMBLY	LH/RH	1036BE	96497-000
	96494		1036SE	96494-000	
3	96499	MIRROR & DOOR ASSEMBLY	CENTER	1036BE	96499-000
	96495		1036SE	96495-000	
4	90916	MAGNETIC CATCH	1036BE/SE	90916-000	
		(PLEASE SEE OTHER SIDE)			

NuTone

NOTE: Always order by current part number.

REF.	ORIGINAL PART NO	* PART DESCRIPTION	MODEL USED ON	CURRENT REPLACEMENT PART NO
5	96491	TRIM STRIP (1) LH/RH	1036BE/SE	96491-A05
6	96525	SHELF (3-5/16" x 34-5/8")	1036BE/SE	ONE
	96533			SET OF 3
7	90942	HARDWARE SET	1036BE/SE	90942-000
8	90589	SHELF SUPPORT	1036BE/SE	90589-000
9	92264	TOOTHBRUSH HOLDER	1036BE/SE	92264-000
10	69781	MOUNTING SCREW SET	1036BE/SE	69781-000