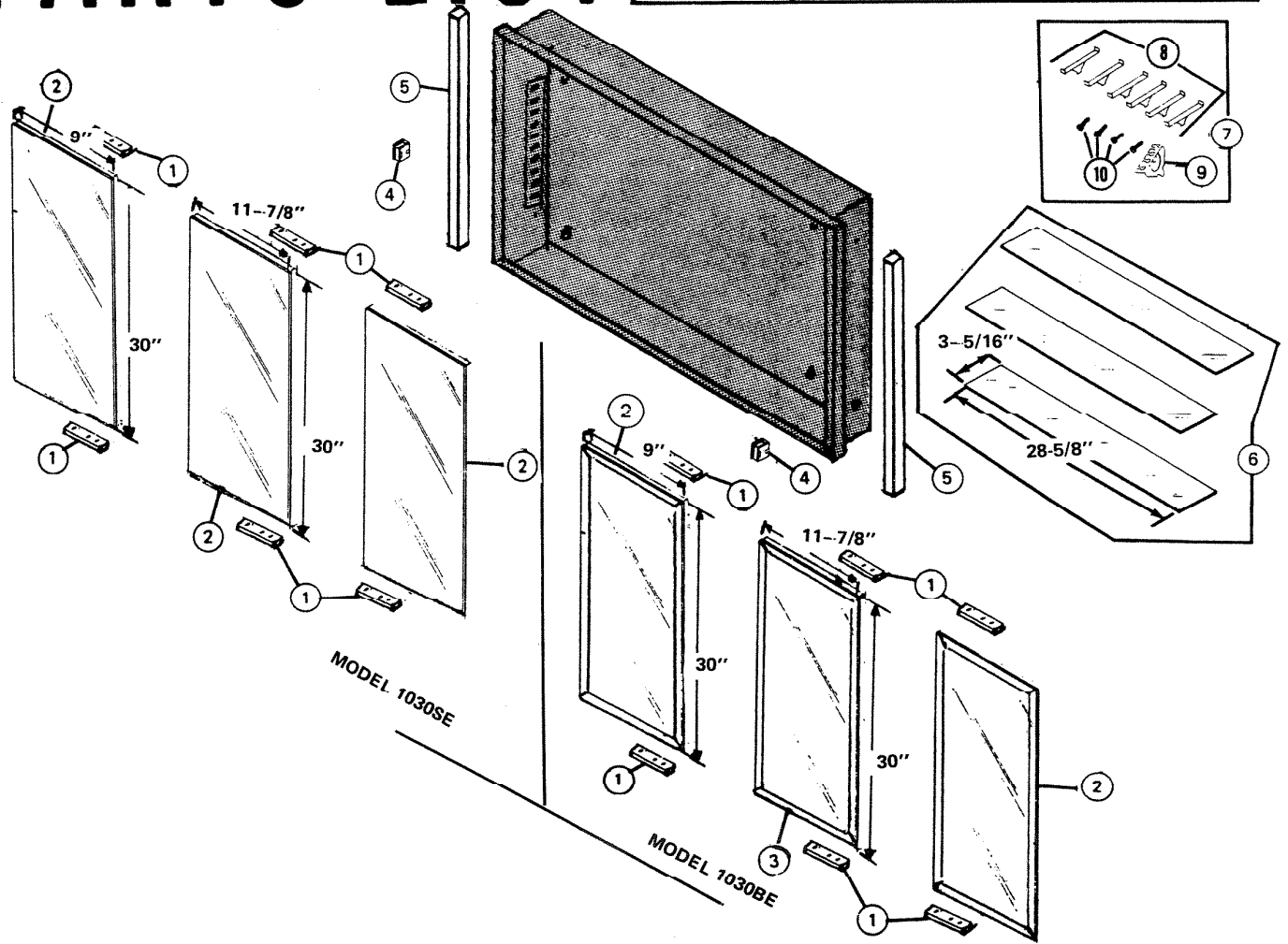


PARTS LIST

EFFECTIVE DATE	MODEL	PRODUCT GROUP
APRIL 1987	1030BE, SE NEW	BATH CABINET



REF.	ORIGINAL PART NO.	* PART DESCRIPTION	MODEL USED ON	CURRENT REPLACEMENT PART NO.
1	96490	SHIM (1) – 6 REQUIRED	1030BE/SE	96490-000
2	96496	Mirror & Door Assembly (LH / RH)	1030BE	96496-000
	96492		1030SE	96492-000
3	96498	Mirror & Door Assembly	1030BE	96498-000
	96493		1030SE	96493-000
4	90916	MAGNETIC CATCH (1)	1030BE/SE	90916-000
		(PLEASE SEE OTHER SIDE)		

NuTone

NOTE: Always order by current part number.

REF	ORIGINAL PART NO	* PART DESCRIPTION		MODEL USED ON	CURRENT REPLACEMENT PART NO
5	96491	TRIM STRIP (1) LH/RH		1030BE/SE	96491-A05
6	96524	SHELF 3-5/16" x 28-5/8"	ONE	1030BE/SE	96524-000
	96532		SET OF 3		96532-000
7	90942	HARDWARE SET		1030BE/SE	90942-000
8	90589	SHELF SUPPORT (1)		1030BE/SE	90589-000
9	92264	TOOTHBRUSH HOLDER		1030BE/SE	92264-000
10	69781	MOUNTING SCREW SET		1030BE/SE	69781-000